

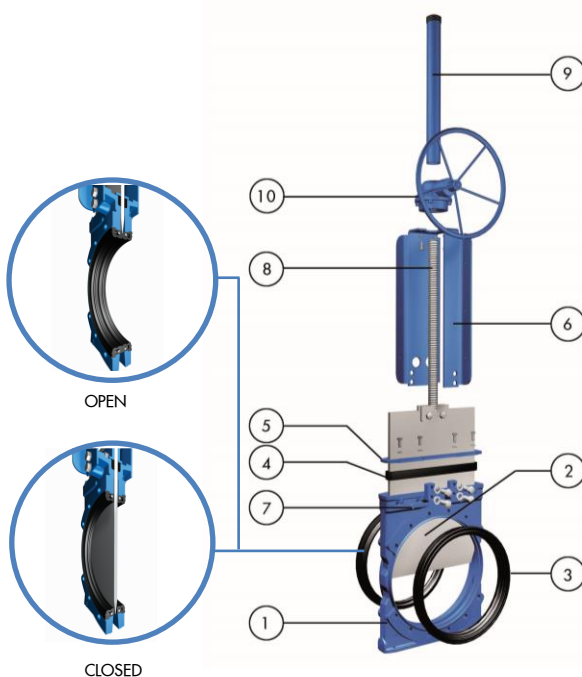
The VG model knife gate valve is a wafer type valve equipped with two metal reinforced rubber sleeves, designed for applications with abrasive slurries. The VG slurry knife gate valve is mainly used in industries such as Mining, Chemical Plants, Power Plants, Wastewater Treatment Plants, etc.

Product description:

- Bi-directional wafer type knife gate valve
- Size range of DN50-900 (larger sizes available). See Dimension Charts for pressure rating
- Rising stem
- Standard flange connection: EN 1092 PN 10 and ASME B16.5 (class 150)
Others available upon request
- Manual (handwheel and bevel gear), pneumatic (single and double-acting), electric and hydraulic actuation options available
- For EU Directives and other Certificates, please see the document:
Directives and Certificates Compliance - Knife Gate Valves - Catalogues and Datasheets

Features:

- Wafer type cast monoblock body with two machined lateral mouths where the sleeves fit perfectly and grease nipples to lubricate the gate
- Open at the bottom for draining purposes, also available with covers or splash guards
- Rectangular shaped stainless steel gate, polished both sides to reduce friction and to avoid seat damage
- Metal reinforced rubber sleeve seats, designed to allow maximum flexibility and minimum effort during gate travel
- EPDM packing as standard. Conventional leak proof packing also available
- RAL-5015 blue epoxy-coating on all cast iron/carbon steel components
- Automated valves provided with gate guards in accordance with EU Safety Standards
- Other options: open-closed lockout system, flush ports, special materials, fabricated valves, gate coatings, etc.
- Actuation accessories: limit & proximity switches, mechanical stops, positioners, solenoid valves, manual overrides, fail safe systems, stem extensions and floor stands



STANDARD PARTS LIST

Part	Materials:
1 Body	Ductile iron A536 (60-40-18) / 0.7040 / GJS 400
2 Gate	AISI 304 (1.4301) / AISI 316 (1.4401)
3 Sleeves	Natural rubber / EPDM
4 Packing	EPDM
5 Gland Follower	A570 GR.40 / 1.0044 Epoxy coated
6 Yoke	A570 GR.40 / 1.0044 Epoxy coated
7 Grease Nipple	Zinc coated carbon-steel
8 Stem	Stainless Steel
9 Stem Protector	A570 GR.40 / 1.0044 Epoxy coated
10 Bevel Gear	-

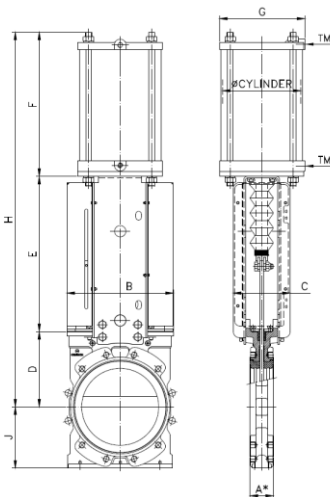
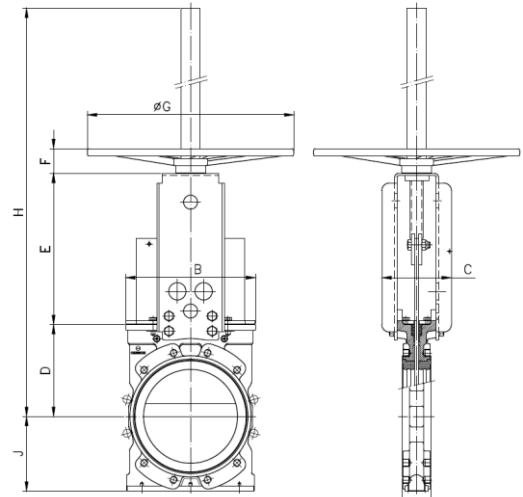
DIMENSIONS (mm) Handwheel Rising Stem

DN	Pressure	A1*	A2*	B	C	D	E	F	ØG	H	J
50	10 bar	54	60	144	100	105	147	47	225	445	63
65	10 bar	54	60	164	100	115	162	47	225	470	70
80	10 bar	57	63	179	100	124	177	47	225	495	90
100	10 bar	57	63	171	107	140	193	67	310	645	100
125	10 bar	63,5	69	200	107	150	234	67	310	700	122
150	10 bar	63,5	69	238	107	175	259	67	310	745	129
200	10 bar	76	83	291	165	205	326	70	410	945	164
250	10 bar	76	83	346	-	245	-	-	-	-	199
300	10 bar	82,5	90	395	-	280	-	-	-	-	231
350	10 bar	82,5	90	450	-	325	-	-	-	-	257
400	10 bar	95	102	511	-	350	-	-	-	-	291
450	6-10 bar ⁽¹⁾	95,5	103	564	-	420	-	-	-	-	317
500	6-10 bar ⁽¹⁾	121	129	623	-	462	-	-	-	-	345
600	6-10 bar ⁽¹⁾	121	129	730	-	510	-	-	-	-	413

A1*: installed face to face

A2*: minimum required dimension for installation

⁽¹⁾ Duplex gate for 10 bar



DIMENSIONS (mm) Pneumatic Actuator (D/A)

DN	Pressure	A1*	A2*	B	C	D	E	F	G	H	J	Standard Cyl.	TM
50	10 bar	54	60	144	100	105	211	200	115	516	63	C100/80	1/4"
65	10 bar	54	60	164	100	115	221	214	115	550	70	C100/95	1/4"
80	10 bar	57	63	179	100	124	257	240	140	621	90	C125/110	1/4"
100	10 bar	57	63	171	107	140	270	258	140	668	100	C125/130	1/4"
125	10 bar	63,5	69	200	107	150	369	298	175	817	122	C160/160	1/4"
150	10 bar	63,5	69	238	107	175	395	323	175	893	129	C160/185	1/4"
200	10 bar	76	83	291	165	205	464	398	220	1067	164	C200/240	3/8"
250	10 bar	76	83	346	185	245	505	470	277	1220	199	C250/290	3/8"
300	10 bar	82,5	90	398	250	280	656	538	335	1474	231	C300/345	1/2"
350	10 bar	82,5	90	450	290	325	712	650	444	1687	257	C350/395	3/4"
400	10 bar	95	102	511	290	350	769	705	444	1824	291	C350/450	3/4"
450	6-10 bar ⁽¹⁾	95,5	103	564	290	420	838	767	515	2025	317	C400/500	3/4"
500	6-10 bar ⁽¹⁾	121	129	623	290	462	897	839	515	2198	345	C400/560	3/4"
600	6-10 bar ⁽¹⁾	121	129	730	290	510	989	921	515	2420	413	C400/655	3/4"

A1*: installed face to face

A2*: minimum required dimension for installation

⁽¹⁾ Duplex gate for 10 bar

DIMENSIONS (mm) Electric Actuator Rising Stem

DN	Pressure	A1*	A2*	B	C	D	E	F	ØG	H	I	J	L	M	N
50	10 bar	54	60	144	100	105	145	143	160	603	265	249	62	238	63
65	10 bar	54	60	164	100	115	160	143	160	628	265	249	62	238	70
80	10 bar	57	63	179	100	124	185	143	160	662	265	249	62	238	90
100	10 bar	57	63	171	107	140	195	143	160	688	265	249	62	238	100
125	10 bar	63,5	69	200	107	150	235	143	160	1100	265	249	62	238	122
150	10 bar	63,5	69	238	107	175	260	143	160	1158	265	249	62	238	129
200	10 bar	76	83	291	165	205	330	155	200	1272	283	254	65	248	164
250	10 bar	76	83	346	185	245	405	155	200	1387	283	254	65	248	199
300	10 bar	82,5	90	398	250	280	462	155	200	1454	283	254	65	248	231
350	10 bar	82,5	90	450	290	325	520	158	315	1602	389	336	90	286	257
400	10 bar	95	102	511	290	350	580	158	315	1690	389	336	90	286	291
450	6-10 bar ⁽¹⁾	95,5	103	564	290	420	645	158	409	1822	389	336	90	286	317
500	6-10 bar ⁽¹⁾	121	129	623	290	462	705	158	400	1925	389	339	90	286	345
600	6-10 bar ⁽¹⁾	121	129	730	290	510	804	158	500	2120	430	365	115	303	413
700	5 bar	181	190	845	320	575	935	158	400	2770	389	339	90	286	475
750	5 bar	187	195	920	320	605	967	190	500	2880	430	365	115	303	500
800	5 bar	206	214	1008	320	655	1078	190	500	3035	430	365	115	303	550
900	5 bar	225,5	234	1105	320	705	1170	190	500	3180	430	365	115	303	620

A1*: installed face to face

A2*: minimum required dimension for installation

⁽¹⁾ Duplex gate for 10 bar

